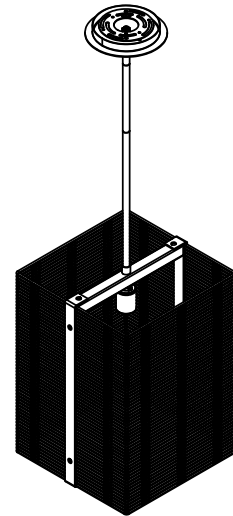
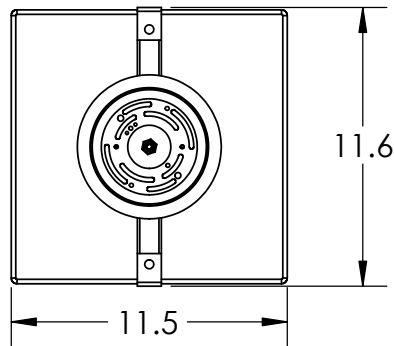
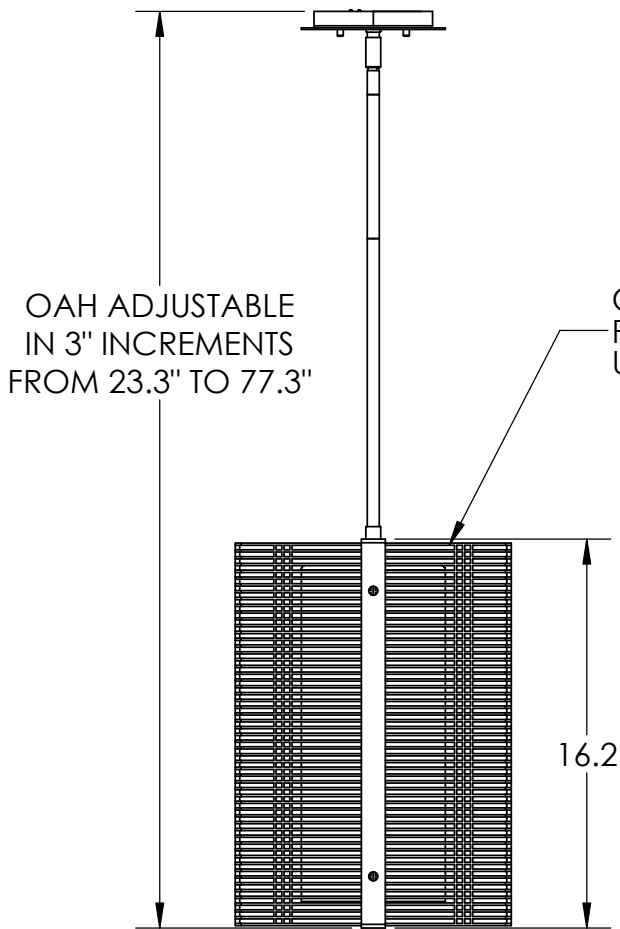


Collection: DOWNTOWN

Product #: LAB0020-16

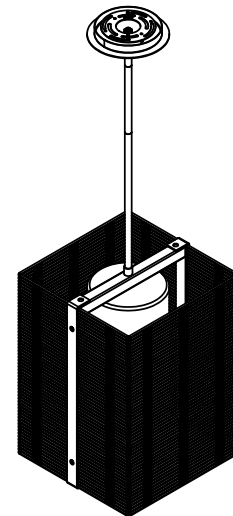


NO LENS, EXPOSED LAMPING



OAH ADJUSTABLE
IN 3" INCREMENTS
FROM 23.3" TO 77.3"

COARSE, WOVEN,
PATTERNED,
URBAN MESH



FROSTED GLASS CYLINDER

ELECTRICAL OPTIONS				
Product #	Electrical Type	Bulb Type	Wattage	Socket Type
LAB0020-16-X-XXX-E2	Incandescent	A19	60	Medium E26
LAB0020-16-X-XXX-G2	Flourescent	CFL/LED RETRO	13	GU-24

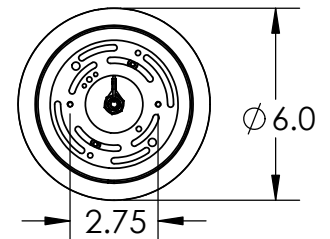
Bulbs Not Included

Visit hammertonstudio.com for product options and specifications.

5/17/2016 (A)

Mounting Packet: Y	Electrical Type: SEE TABLE
Approximate lbs.: 10	Bulb Qty: 1 Bulb Type: SEE TABLE
Finish: SEE WEB SITE FOR OPTIONS	Wattage: SEE TABLE Voltage: 120
Top Diffuser: OPEN	Socket Type: SEE TABLE
Bottom Diffuser: OPEN	UL Location: DRY

Mounting Detail



MOUNTS DIRECTLY TO J-BOX

All fixtures created by Hammerton are handcrafted by artisans. Dimensions may vary up to 7/8".

© Copyright 2016. All rights in design, detail or invention of this drawing are reserved as the property of Hammerton. Any imitation or adaptation without written consent is strictly prohibited.

Hammerton Inc. 217 Wright Brothers Dr. Salt Lake City, UT 84116 (801)973-8095